




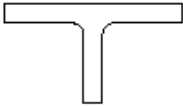

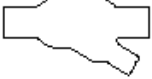
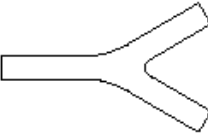
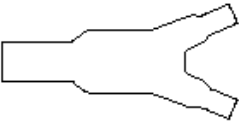

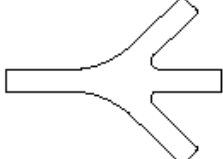
Boots

Application	Family Description	Typical Shapes
Lipped boots for use with a circular adapter	202D121 to 196 222D121 to 196 202K121 to 185 222K121 to 185 242W042 to 063	
Nonlipped boots for use directly on a circular connector	202A111 to 196 222A111 to 196	
Low-profile lipped boots for use with a circular adapter	202D211 to 299 222D211 to 299 202F211 to 274 222F211 to 285 202G211 to 253	
Lipped boots for use with a circular adapter	202D921 to 963 222D921 to 963	
Lipped boots with compressible design for use with a circular adapter	202C611 to 663 202G611 to 653	
Adapter boots for use with D-subminiature connectors	214A011 to 052 234A011 to 071 214A311 to 352 234A111 to 152 234A611 to 671	

Feedthroughs and End Caps

Application	Family Description	Typical Shapes
Feedthroughs	207W213 to 256 and CES	
D-Subminiatures	214P009 to 037	
End Caps	101A011 to 094 and SSC	

Transitions

Application	Family Description	Typical Shapes	
Breakout Boots	SSB, T, F, 6S, 8S		
"T" Transitions	301A011 to 048 301A511 to 514 322A112 to 158		
45° Transitions	342A012 to 058		
30° Transitions	362A014 to 114		
"Y" Transitions	381A301 to 304 382A012 to 046		
3:1 Transitions	462A011 to 060 462A421 to 424		
4:1 Transitions	562A011 to 067	